

Presence detector - Professional Line

# Dual US

COM1 - in-ceiling installation

EAN 4007841 079598

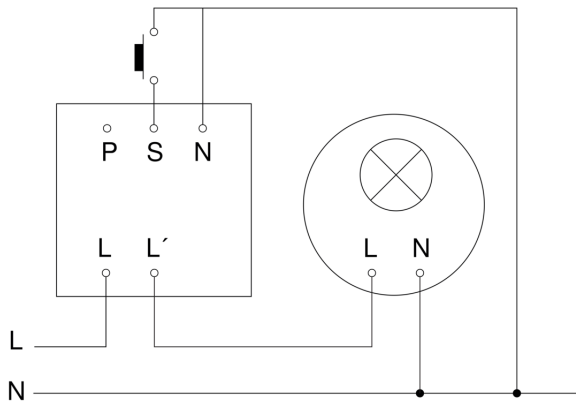
Article number 079598



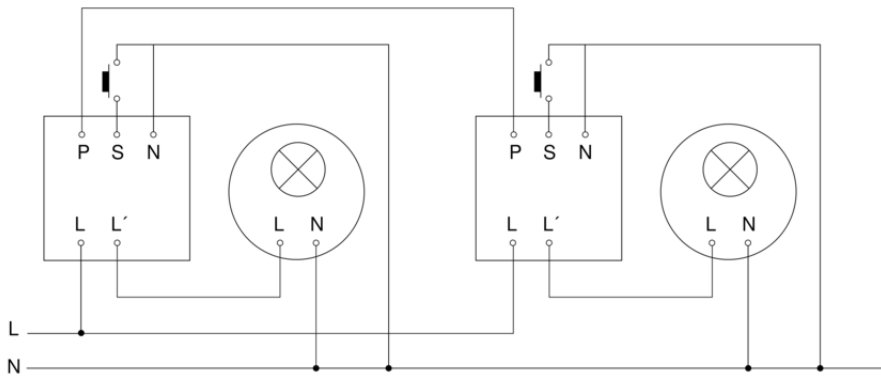
# Dual US

COM1 - in-ceiling installation  
EAN 4007841 079598  
Article number 079598

## Master circuit diagram



## Master/master interconnection circuit diagram



# Dual US

COM1 - in-ceiling installation  
EAN 4007841 079598  
Article number 079598



## Master/slave interconnection circuit diagram

